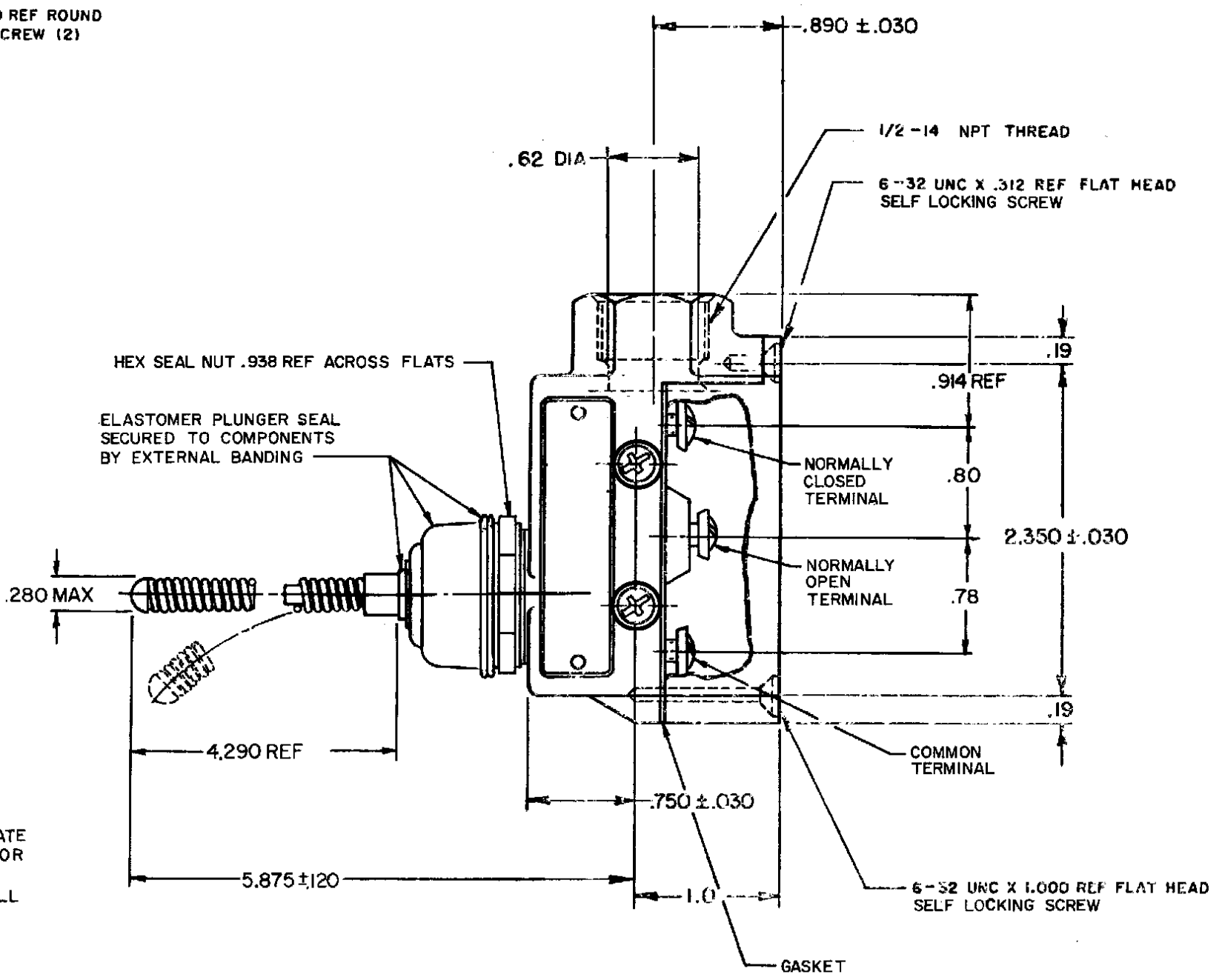
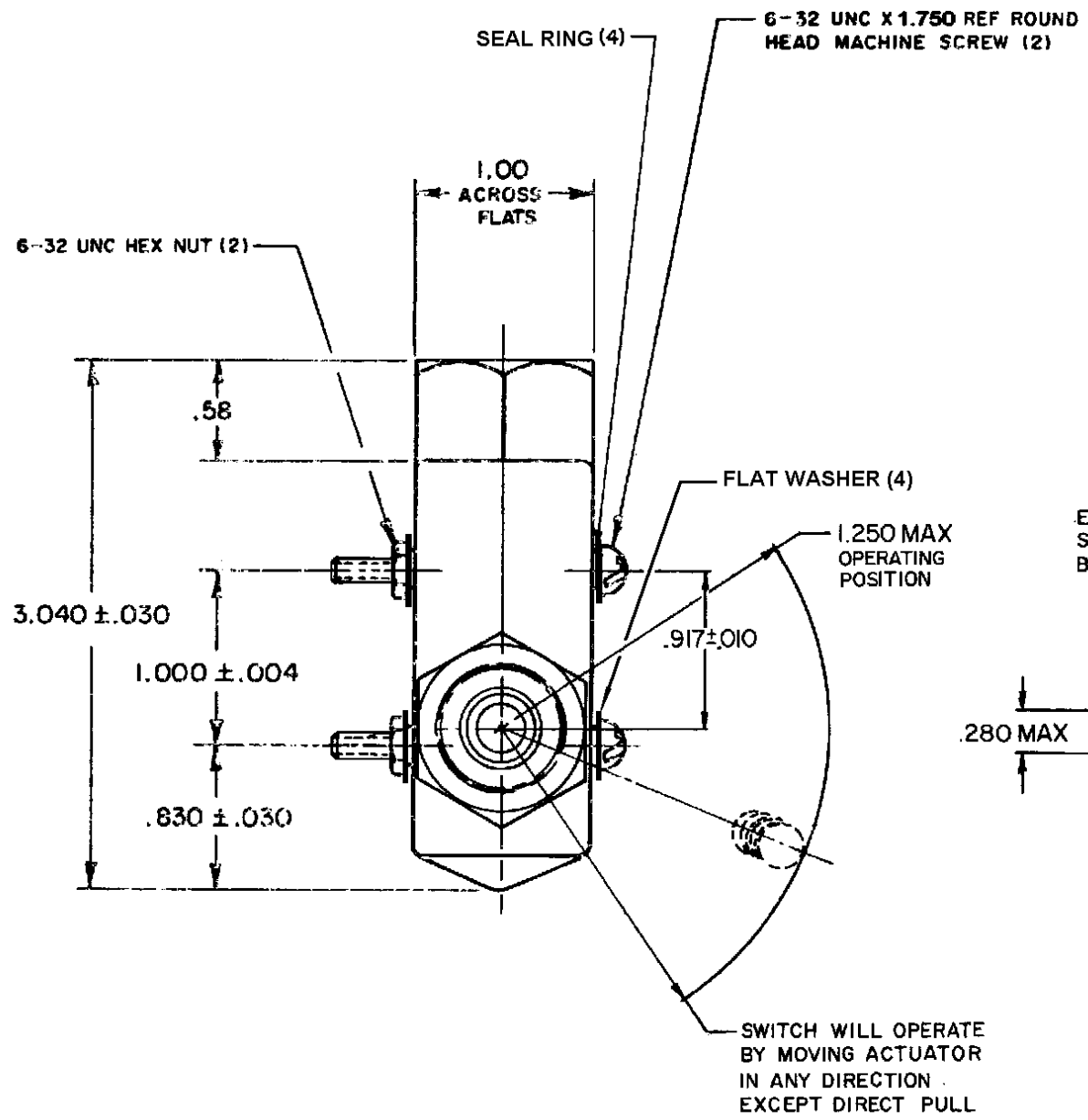


MICRO SWITCH
A DIVISION OF MINNEAPOLIS-HONEYWELL REGULATOR COMPANY
PREPONE, MINNOSIS

SWITCH - ENCLOSED

CATALOG LISTING
BZE6-2RN18

BZE6-2RN18
 DRAWING NUMBER
 14
 ISSUE
 29AUG07
 PSR
 CHECK
 23AUG06
 DVM
 12 JAN 82
 CHECK
 16 FEB 84
 8 NOV 94
 30 MAY 95
 4 SEP 92
 17 FEB 94
 22 NOV 05
 RASTER
 DRAWN
 GEM 13 AUG 71
 CHECK
 17 AUG 71
 71
 REPLACES
 RELEASE NO. PR-2045



NOTE -
 1 - 6-32 UNC X .219 REF TERMINAL SCREW AND CUPWASHER (3)
 2 - SEAL RATING: NEMA 1,3,4
IP66

THIS DRAWING COVERS A PROPRIETARY ITEM AND IS THE PROPERTY OF MICRO SWITCH, A DIVISION OF MINNEAPOLIS-HONEYWELL REGULATOR CO. THIS DRAWING IS NOT TO BE COPIED OR USED WITHOUT THE APPROVAL OF MICRO SWITCH.

CHARACTERISTICS	ELECTRICAL DATA	SCALE FULL
OPERATING FORCE ----- 7 OZ MAX	CONTACT ARRANGEMENT S P D T	DO NOT SCALE PRINT
OPERATING POSITION ----- 15° MAX	15A 125, 250 OR 480 VAC, 2A 600 VAC 1/8HP 125 VAC, 1/4HP 250 VAC 1/2A 125 VDC, 1/4A 250 VDC -L74- CE 1.5A, 240 Vac	UNLESS OTHERWISE SPECIFIED DIMENSIONS ARE IN INCHES
SWITCH BASIC REPLACEMENT ----- BZ-2R-A2		TOLERANCES ARE: ONE PLACE (.0) ± .030 TWO PLACE (.00) ± .015 THREE PLACE (.000) ± .005 ANGLES ±
		WEIGHT